

Presence Switch - Professional Line

IR 180

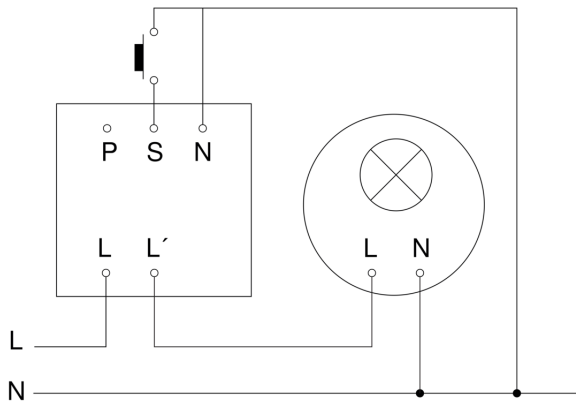
COM1 - white
EAN 4007841 029944
Article number 029944



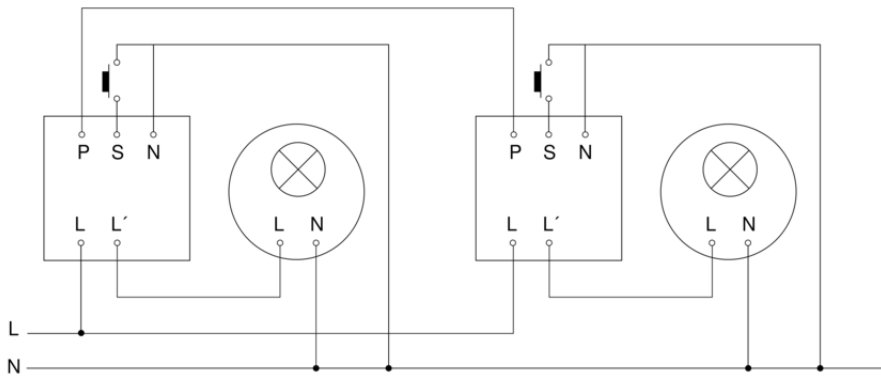
IR 180

COM1 - white
EAN 4007841 029944
Article number 029944

Master circuit diagram



Master/master interconnection circuit diagram



IR 180

COM1 - white
EAN 4007841 029944
Article number 029944



Master/slave interconnection circuit diagram

